

INCUBATOR KITS

DIY Incubator Kit



Catálogo

DIY incubator kit



System components

Incubator kits

The cheapest way to create your own DIY incubator.

The kit is made up of a flexible silicone resistance of 30, 45, 60, 90, 120, 150 Watts.

The kit includes a digital thermostat with NTC probe.



Flexible electrical heating wire with silicone coating

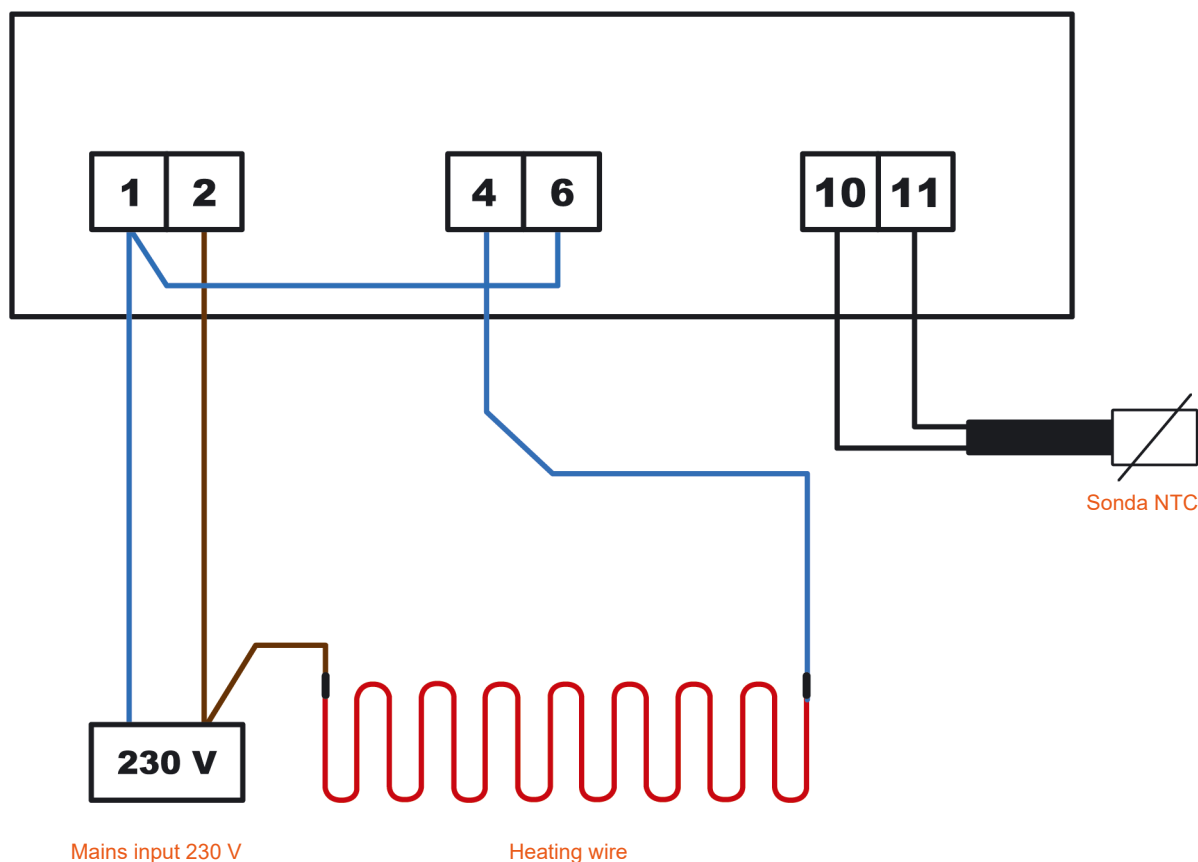


Digital thermostat with NTC probe

Standard models

Ref.	Silicone coated heating wire				DP1 digital thermostat		
	Power	Length	Voltage	Cold leads	Maximum amperage	Probe	Temperature range
KIT30	30 w	1 m	230 V	300 mm	10 A - 230 V	NTC included	-50°/110° C
KIT45	45 w	1,5 m	230 V	300 mm	10 A - 230 V	NTC included	-50°/110° C
KIT60	60 w	2 m	230 V	300 mm	10 A - 230 V	NTC included	-50°/110° C
KIT90	90 w	3 m	230 V	300 mm	10 A - 230 V	NTC included	-50°/110° C
KIT120	120 w	4 m	230 V	300 mm	10 A - 230 V	NTC included	-50°/110° C
KIT150	150 w	5 m	230 V	300 mm	10 A - 230 V	NTC included	-50°/110° C

Thermostat scheme



The NTC probe is already installed and configured at the factory.

If you need to reinstall the NTC probe, follow these simple steps:

1. Turn on the thermostat
2. Hold down the Set button for 5 seconds
3. The **S.LS** value will appear on the screen
4. Press the down arrow button until the term **i.SE** appears on the display
5. Once **i.SE** appeared, press **Set**, **Pt** will appear on the display
6. Press the down arrow and **Nt** appears, press **Set**
7. Unplug the thermostat and plug it back in. The sensor temperature is shown on the display

ELEMENTOS CALEFACTORES AS, S.L

C/ Zamora, 99 - 101, 5º planta 1ª
08018 Barcelona
Tel. 00 34 93 486 36 82 - Fax 00 34 93 486 38 14
Email: as@elementoscalefactores.com



ECAS GROUP

- **Main website** •

www.elementoscalefactores.com

- **Online store** •

www.electriceatingstore.com

